

CHARACTERISTICS



2RH, 2RHL



2RHF

**Anti Rotation SPRING COUPLING FOR ENCODER
TYPE 2RH / 2RHF / 2RHL**

For use as a spring coupling or flange

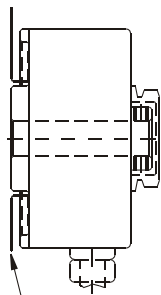
Material: 0,5mm - AISI 301 (*Inox spring steel*)

Torsionally stiff spring coupling
Max. Movement axial $\pm 0,5$
Max. Movement radial $\pm 0,2$

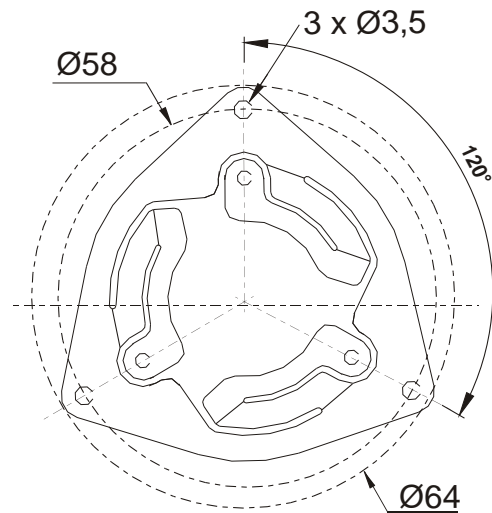
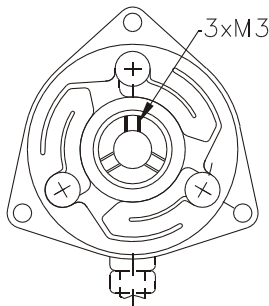
MECHANICAL DIMENSIONS; 3 Point Coupling

Part No. 80126109

3 Point Coupling



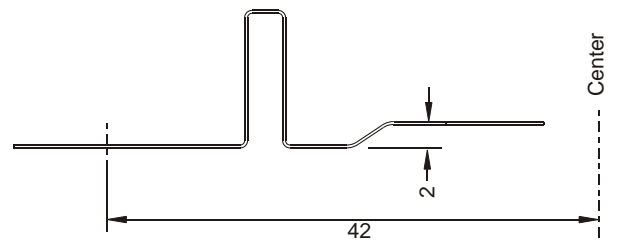
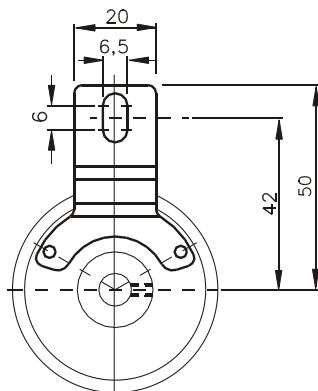
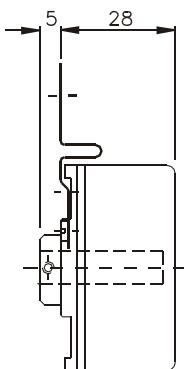
Torsionally stiff spring coupling
Max. movement axial $\pm 0,25$
Max. movement radial $\pm 0,05$



MECHANICAL DIMENSIONS; Y-Coupling

Part No. 80146636

Y-Coupling



CHARACTERISTICS



2RHI

Anti Rotation SPRING COUPLING FOR ENCODER TYPE 2RHI

For use as a spring coupling or flange

Material: 0,5mm - AISI 301 (*Inox spring steel*)

Torsionally stiff spring coupling

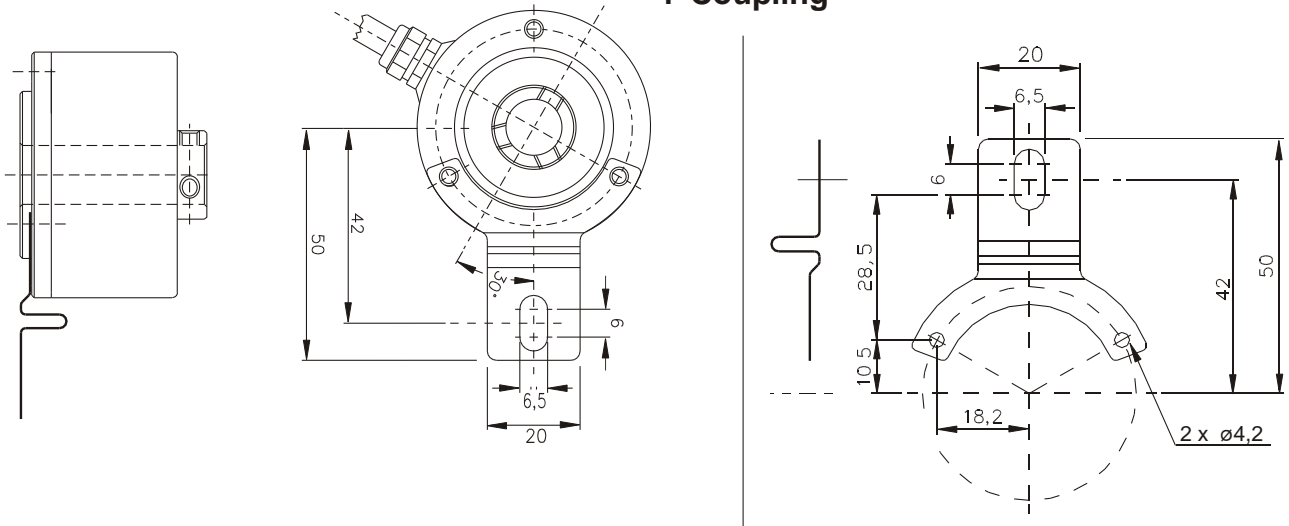
Max. Movement axial $\pm 0,5$

Max. Movement radial $\pm 0,2$

MECHANICAL DIMENSIONS; Y-Coupling

Part Nr. 80147042

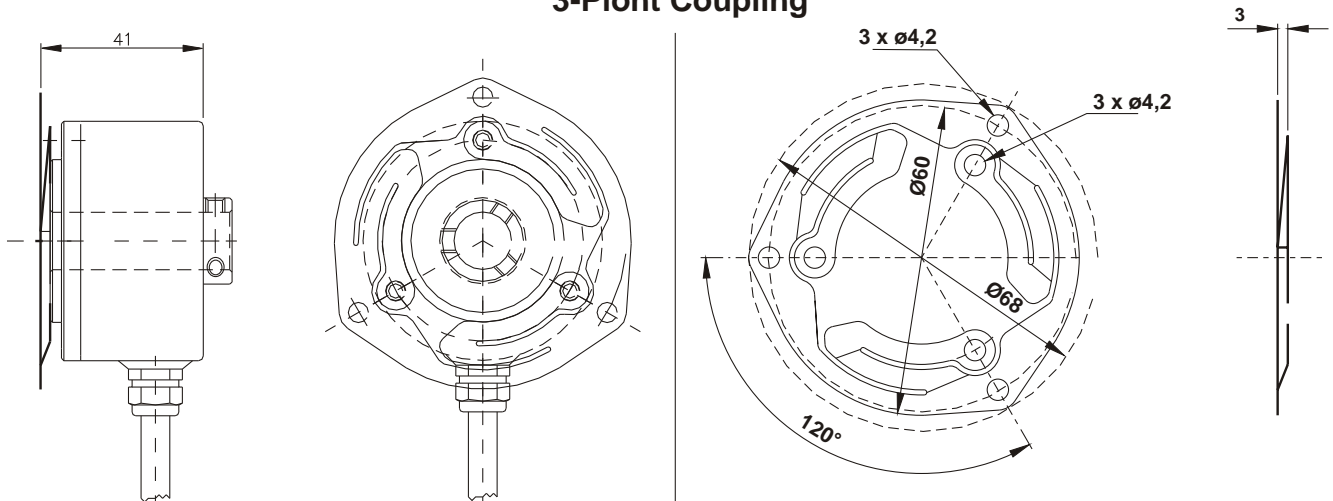
Y-Coupling



MECHANICAL DIMENSIONS; 3-Piont Coupling

Part no.: 80149764

3-Piont Coupling



CHARACTERISTICS



2RHIF



2RHIB



2RHIF-SR

**SPRING COUPLING FOR ENCODER
TYPE 2RHIF, 2RHIB, 2RHIF-SR**

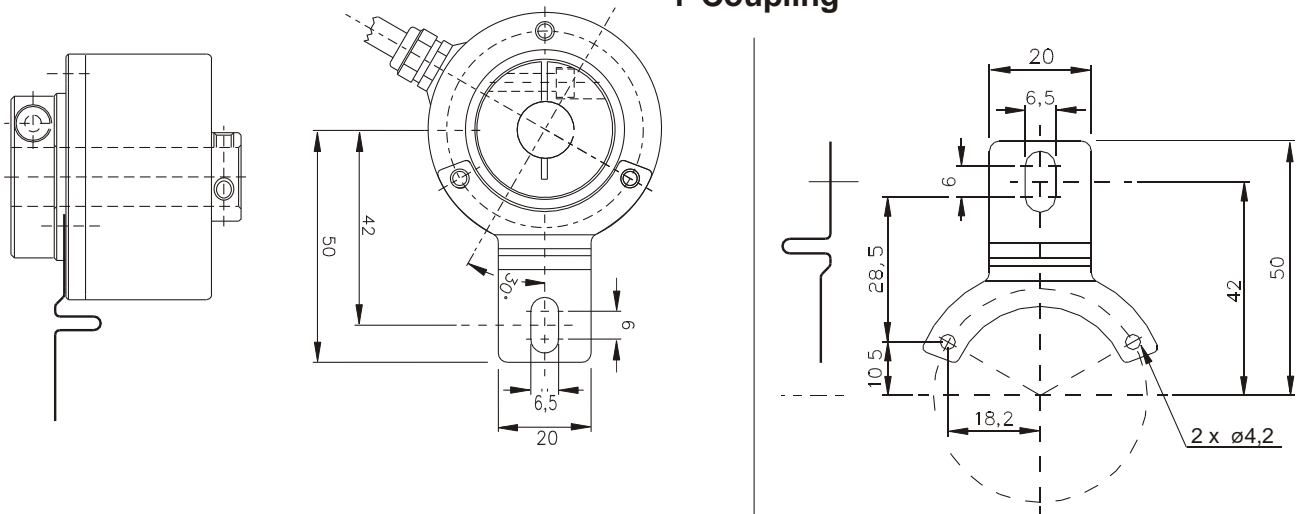
For use as a spring coupling or flange

Material : 0,5mm - AISI 301 (*Inox spring steel*)

MECHANICAL DIMENSIONS; Y-Coupling

Part no.: 80147042

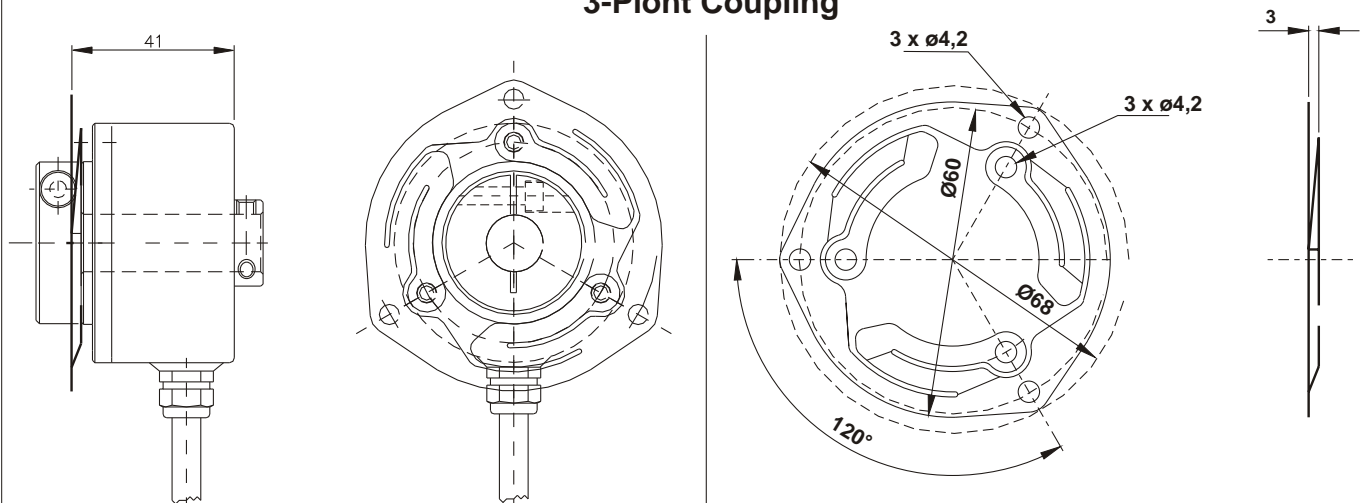
Y-Coupling



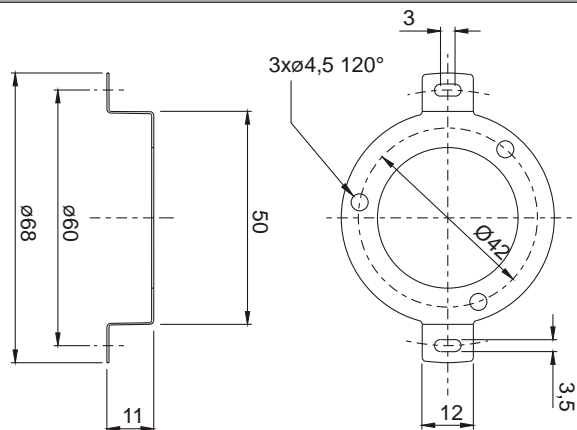
MECHANICAL DIMENSIONS; 3-Point Coupling

Part no.: 80149764

3-Point Coupling



Part no.: 80149662

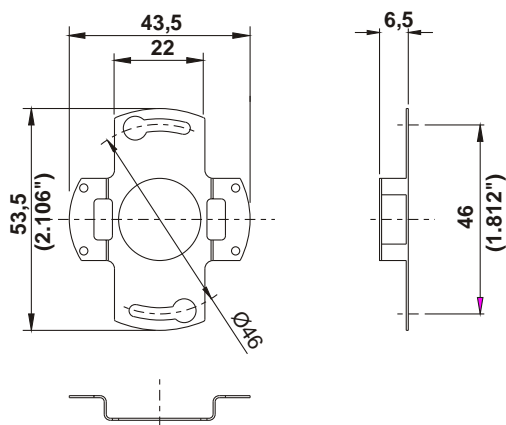


Part for encoder:

2RHI, 2RHIF, 2RHIB, 2RHIF-SR

Material: 0,3mm Aisi301

Part no.: 80149453

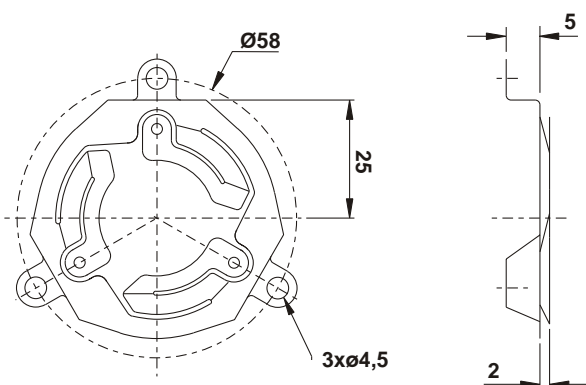


Part for encoder SCH50

Ask for drawing

Material: 0,3mm Aisi 301

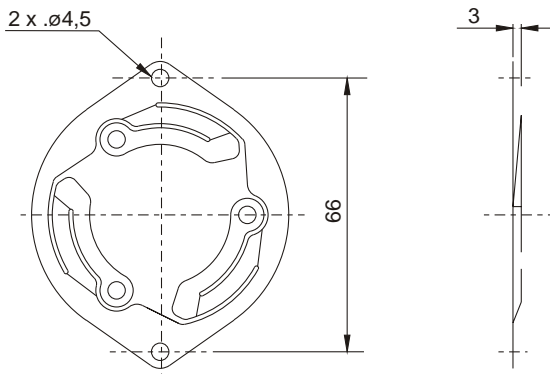
Part no.: 80149491



Part for encoder 2RH, 2RHF, 2RHL

Material 0,25mm - Aisi 301

Part no.: 80149823

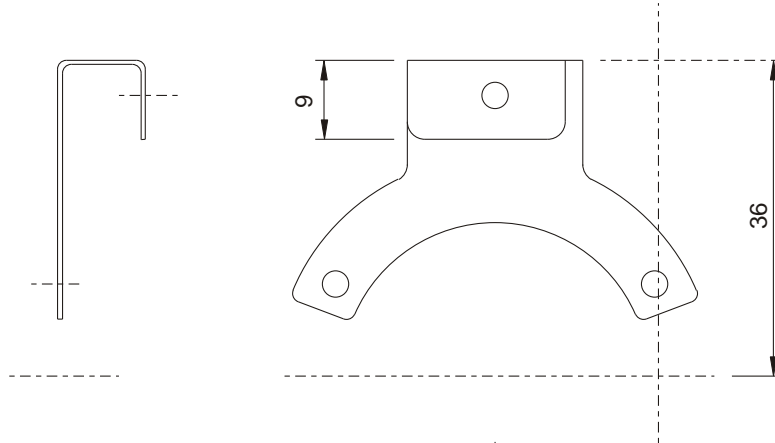


Part for encoder:

2RHI, 2RHIF, 2RHIB, 2RHIF-SR

Material 0,5 Aisi 301

Part no.: 80148017

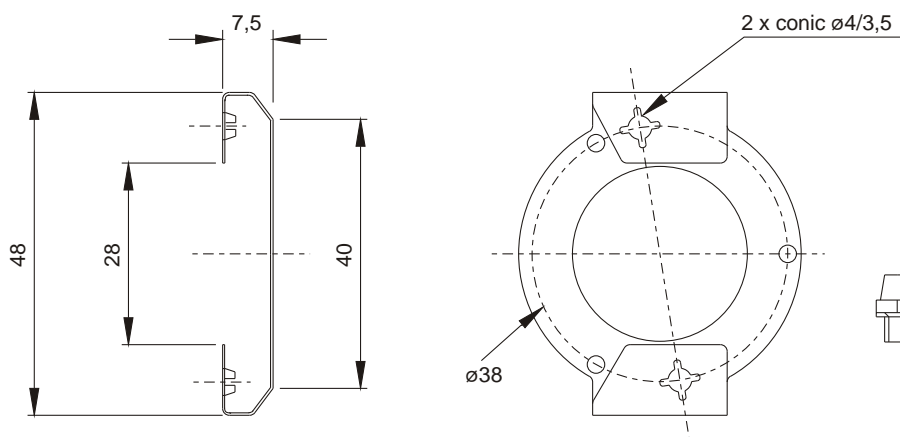


**Part for encoder: 2RHI
2RHIF, 2RHIB, 2RHIF-SR**

Material 0,3mm -Aisi 301

Special mounting screw for motor
Ask for drawing

Part no.: 80148120

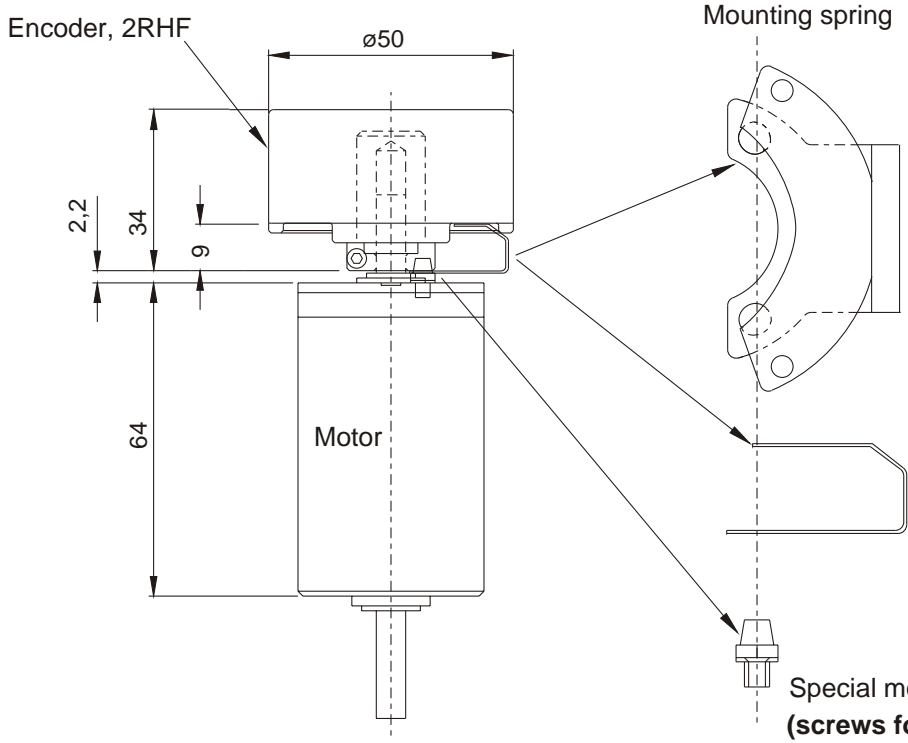


**Part for encoder:
2RH, 2RHF, 2RHL**

Material 0,3mm - Aisi 301

Special mounting screw for motor
Ask for drawing

Part no.: 80148120



Spring for motor:

Faulhaber

-Minimotor, Series 3863 .. C

PAVEX-Motor

Fits with encoder 2RHF

With clambushing

No plate needed

Part no.: 80148426

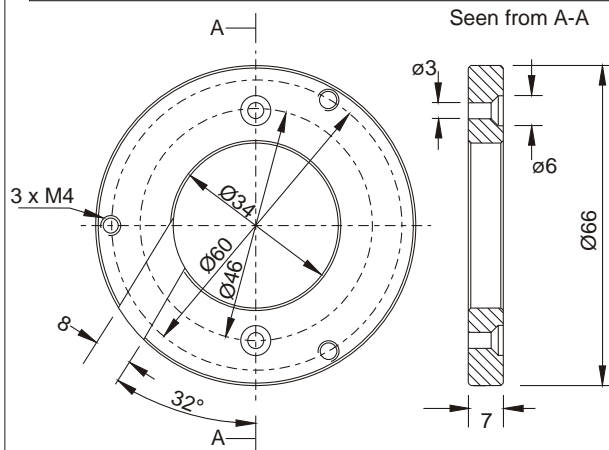
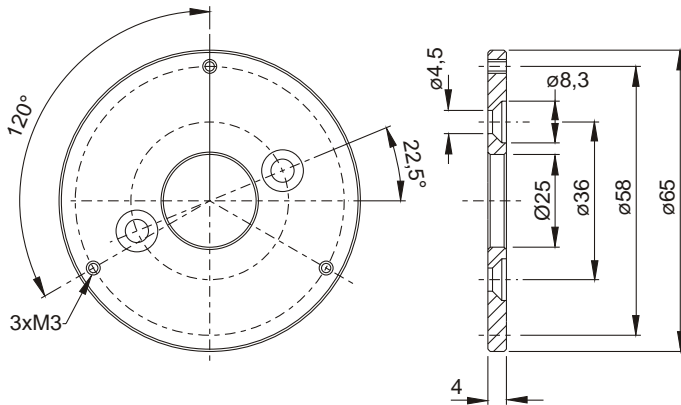


Plate for motor with encoder:
2RHI, 2RHIF, 2RHIB, 2RHIF-SR

Use spring coupling: 80149764

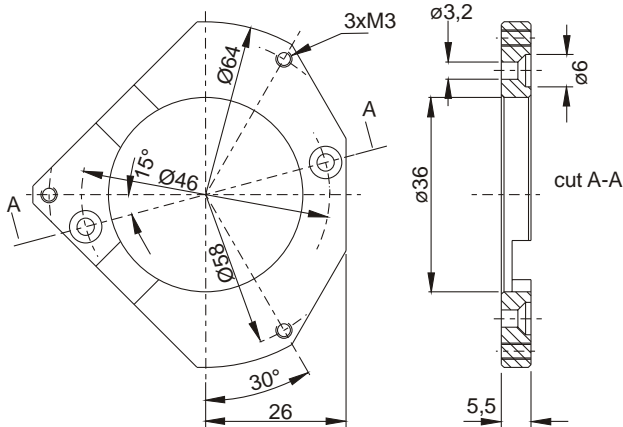
Part no.: 80148439



**Plate for motor with
encoder 2RH, 2RHF, 2RHL**

Use spring coupling: 80126109

Part no.: 80149255

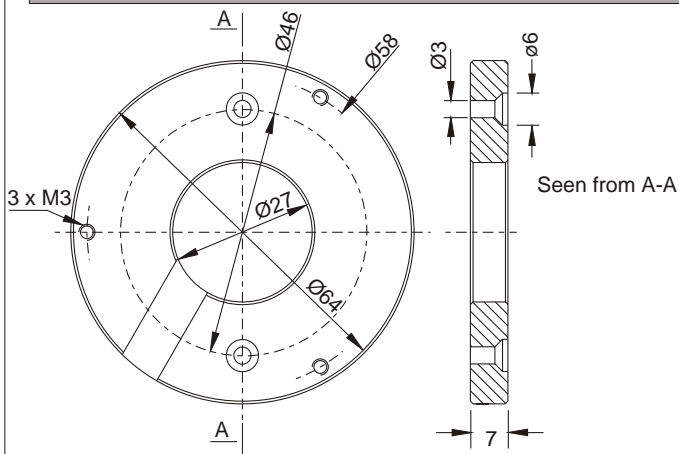


**Plate for motor with
encoder 2RH, 2RHF, 2RHL**

Use spring coupling: 80126109

No longer in stock

Part no.: 80148267



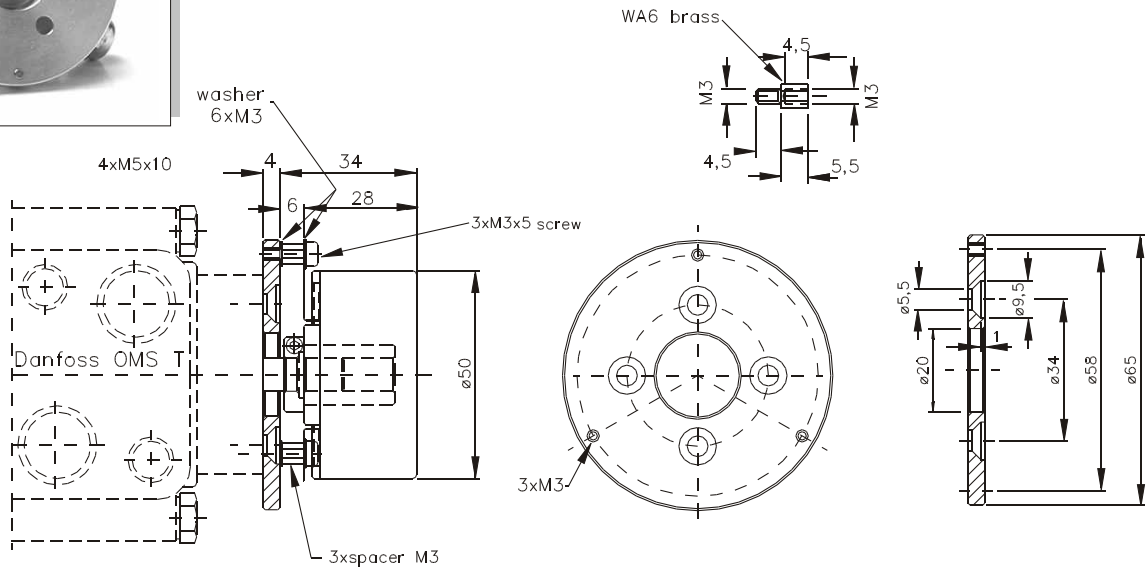
**Plate for motor with
encoder 2RH, 2RHF, 2RHL**

Use spring coupling: 80126109

Part no.: 80147363



Flange type : Danfoss Hydraulic motor.
For encoder type :2RH, 2RHF, 2RHL
Use spring coupling: 80126109



Part no.: 80137008



Use with encoder:
2RHI, 2RHIF, 2RHIB

